

WM 300/400 series



Cartoning and Wallet Machines



Picture shows customer machine with special features

The machines of the model series WM 300/400 are built according to the customer requirement. In the process, our variety of existing function modules are reconfigured again and again, similar to a modular system, and thus perfectly fulfill the customer requirements.

Typical Applications:

- Classic Wrap-Around cartoning
- Wallet packaging
- Final packaging, e.g. also in cartons with automatic bottom
- Monomaterial cardboard blister
- Clamshell blister for sorted separation

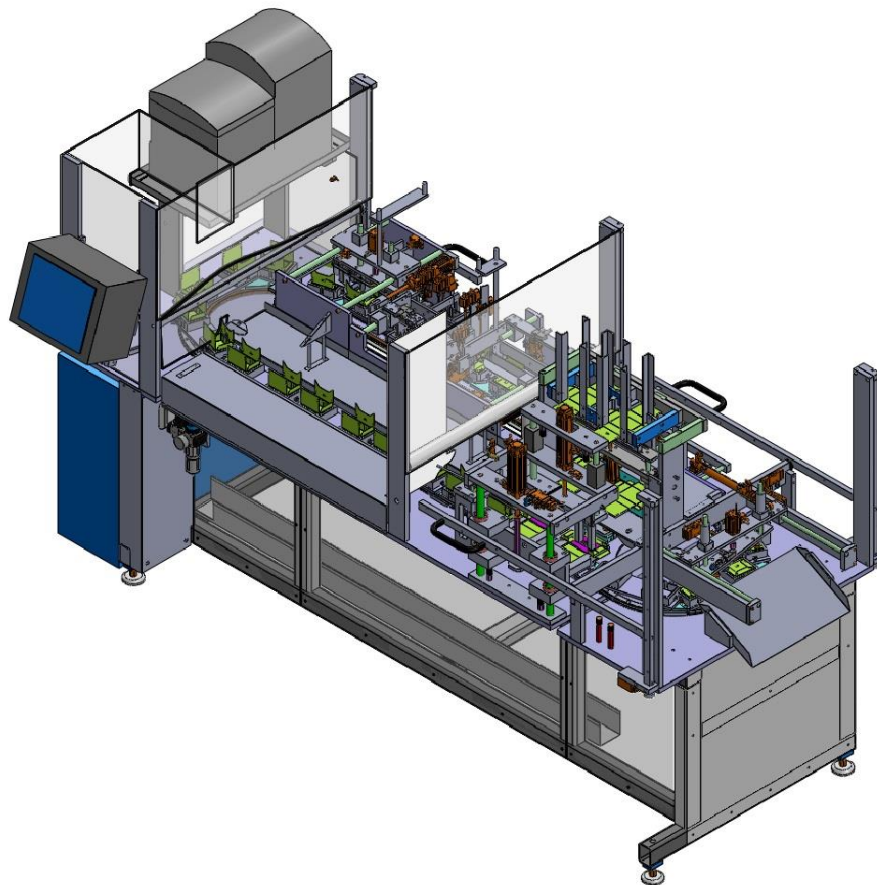


Technical Highlights

- Easy to use operation
- Available as inline execution or rotary principle
- Multiple tracks production possible for high output

Our function kit includes, among other things:

- Cardboard feeders from horizontal or vertical magazine
- cardboard forming via folding turnouts or form stamps
- cardboard transport via armor chain, walking beam, train transport or free pushers
- Manual or automatic feeding of the product, e.g. via pick + Place system or magazine-separation
- labelling and deposit stations (e.g. prospectus or safety tag)
- Closure by means of heatsealing or hot glue
- optional accessories, e.g.: Barcode reading, folding of already closed cartons (= wallet)



Design of our solutions in 3D with Solid-Works

Lieferprogramm der WENZ Blister-Verpackungstechnik

- Thermoform Machines for production of blisters with card back
- Thermoform Machines for production of blisters with lidding film
- Cartoning and Wallet Machines
- Transport, Handling Systems and customized special applications



WENZ Blister-Verpackungstechnik
Lailingstrasse 7
D-75196 Remchingen
Tel. +49 (0) 7232-71671
e-mail: m.wenz@wenzbv.de